

DS3

ELECTRIC STACKER

 1500 kg  3918 mm  24 V Li-Ion



The DS3 is designed for low- to medium-intensity stacking, loading, and transportation tasks in warehouses, retail stores, and small distribution centers. Its compact size and tight turning radius make it ideal for operations in narrow aisles, shop floors, and production areas. Whether stacking pallets on racks or moving goods in storage rooms, the DS3 ensures reliable, quiet, and energy-efficient performance across multiple industries

SPECIFICATION	REF	UNIT	VALUE
Battery type			Li-Ion
Battery nominal capacity		Ah	80
Battery voltage		V	24
Load capacity	Q	kg	1500
Load centre distance	c	mm	600
Service weight		kg	540
Retracted mast height	h_1	mm	2067
Height, mast extended	h_4	mm	3532
Overall length		mm	1727
Overall width	b_1/b_2	mm	834
Length to face of forks	l2	mm	577
Fork dimensions	s/e/l	mm	75/170/1150
Turning radius		Wa	1470
Operator type			Pedestrian
Load distance, centre of drive axle to fork		mm	802
Wheelbase		mm	1210

Features

Compact and maneuverable design

The DS3's short chassis length and 1470 mm turning radius allow easy operation in narrow aisles and tight warehouse spaces. This makes it ideal for facilities where every centimeter counts, without compromising lifting performance.

Reinforced mast for superior durability

An enhanced dual-chain mast design improves rigidity and ensures long-term reliability under continuous use. The iron mesh guard provides operator protection while maintaining clear visibility during stacking and retrieval.

Maintenance-free power and built-in charger

The DS3 is equipped with a 24 V/80 Ah AGM battery and a 24 V/10 A internal charger, allowing convenient on-board charging with no special equipment required. For more demanding applications, a Li-ion option is available for extended runtime.

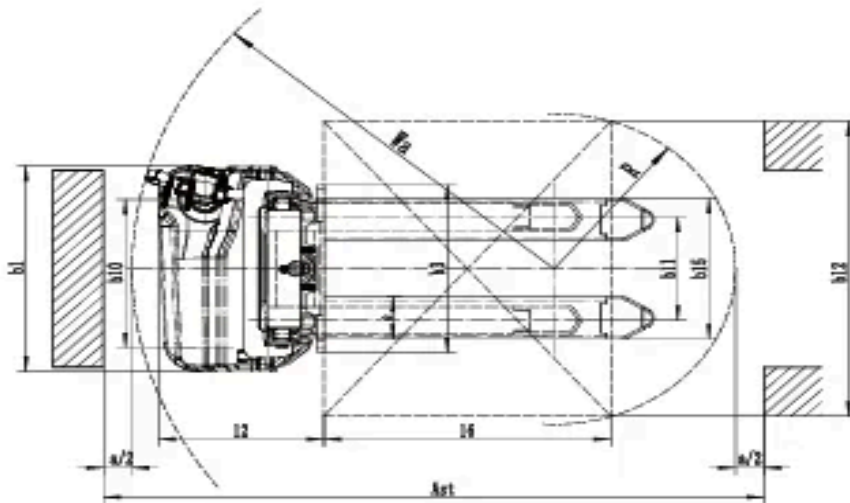
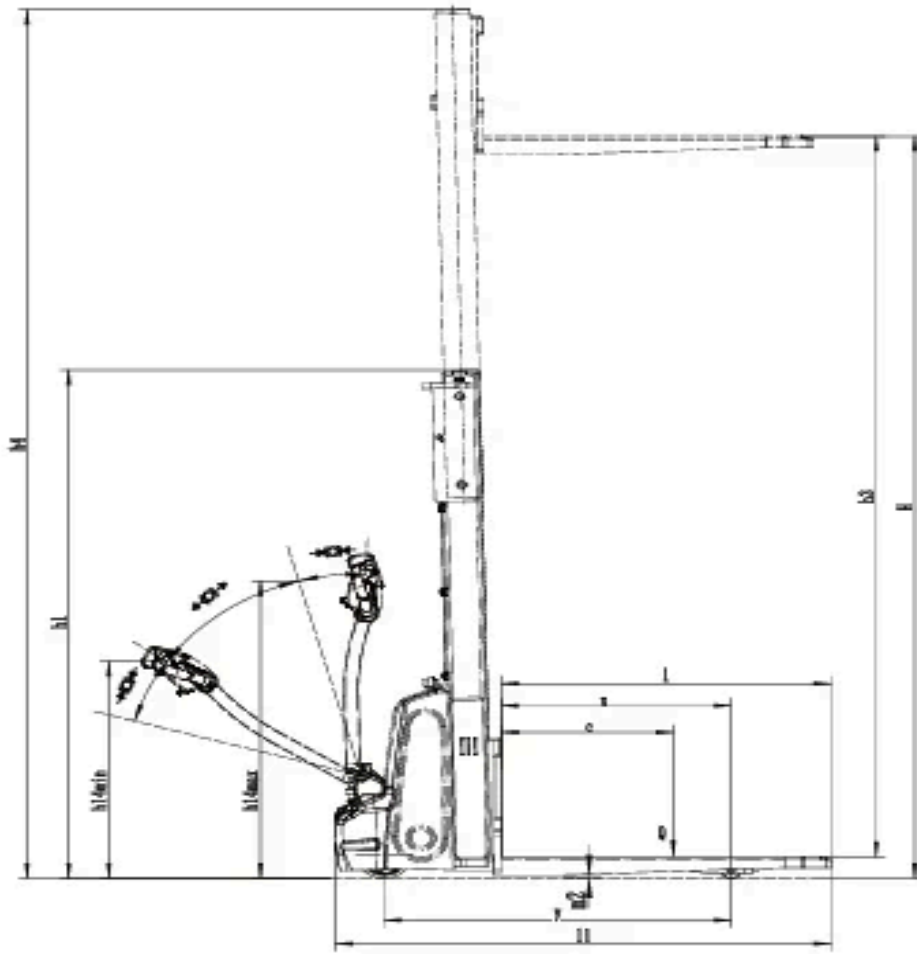
Safe and ergonomic operation

The EP large tiller head with fingertip controls and a turtle-speed mode ensures precise control during slow maneuvers. The DS3 also features automatic speed reduction when the mast is elevated, enhancing safety and stability during high lifts

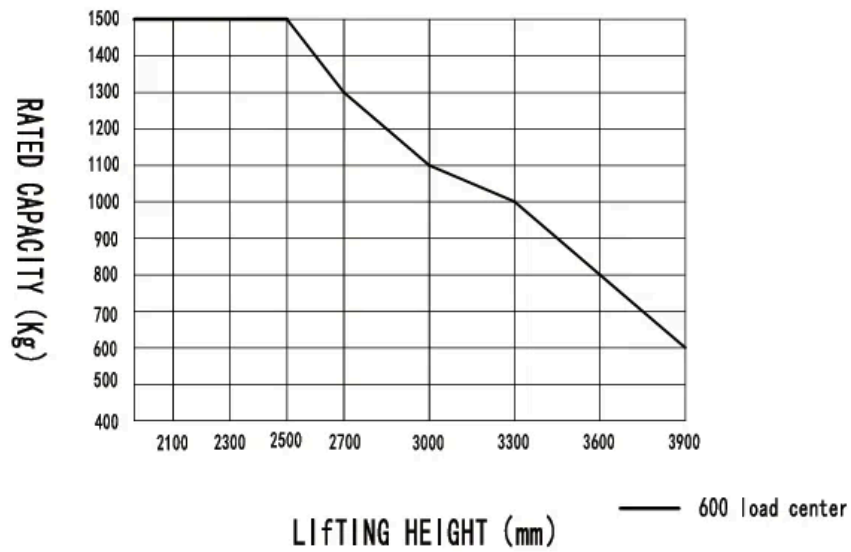
VDI Chart

	SPECIFICATION	REF	UNIT	VALUE
1.4	Operator type			Pedestrian
1.5	Load capacity	Q	kg	1500
1.6	Load centre distance	c	mm	600
1.8	Load distance, centre of drive axle to fork		mm	802
1.9	Wheelbase		mm	1210
2.1	Service weight		kg	540
2.2	Axle loading, laden front/rear		kg	645/1395
2.3	Axle loading, unladen front/rear		kg	395/145
3.1	Tyre type			Polyurethane

	SPECIFICATION	REF	UNIT	VALUE
3.2	Tyre size, front		mm	Ø190×55
3.3	Tyre size, rear		mm	Ø74×88
3.4	Additional wheels (castor wheels)		mm	Ø128×50
3.5	Wheels, number front/rear (x=drive wheels)			1x 1/2
3.6.1	Tread width, front	b ₁₀	mm	597
3.7.1	Tread width, rear	b ₁₁	mm	420
4.0	Max lift height	H	mm	3918
4.19	Overall length		mm	1727
4.2	Retracted mast height	h ₁	mm	2067
4.20	Length to face of forks	l ₂	mm	577
4.21	Overall width	b ₁ /b ₂	mm	834
4.22	Fork dimensions	s/e/l	mm	75/170/1150
4.24	Fork carriage width		mm	680
4.25	Distance between fork-arms			570
4.32	Ground clearance, centre of wheelbase		mm	30
4.34.1	Aisle width for pallets 1000×1200 crossways		Ast	2302
4.34.2	Aisle width for pallets 800×1200 lengthways		Ast	2235
4.35	Turning radius		Wa	1470
4.5	Height, mast extended	h ₄	mm	3532
4.9	Height of tiller handle in drive position min./max.			760/1140
5.1	Travel speed, laden/unladen		km/h	4.0/4.5
5.10	Service brake			Electromagnetic
5.2	Lifting speed, laden/unladen		m/s	0.085/0.13
5.3	Lowering speed, laden/unladen		m/s	0.105/0.085
5.8	Max. gradeability, laden/unladen		%	3/10
6.1	Drive motor rating S2 60 min		kW	0.75
6.2	Lift motor rating at S3 15%		kW	2.2
6.4	Battery nominal capacity		Ah	80
6.4	Battery voltage		V	24
6.4.1	Battery type			Li-Ion
6.5	Battery weight		kg	38
8.1	Type of drive control			DC
10.5	Steering design			Mechanical
10.7	Sound pressure level at the drivers ear		dB(A)	74



RATED CAPACITIES GRAPH



Mast Options

MAST TYPE	LIFT HEIGHT (H3, MM)	MAST LOWERED HEIGHT (H1, MM)	MAST EXTENDED HEIGHT, NO BACKREST (H4, MM)
2-Standard Mast	2518	1817	3032
2-Standard Mast	2718	1917	3232
2-Standard Mast	3018	2067	3532
2-Standard Mast	3318	2217	3832
2-Standard Mast	3618	2367	4132
2-Standard Mast	3918	2517	4432
2-Standard Mast	4168	2556	4596

Options

ITEM	OPTIONS (optional items marked in yellow)
Fork dimension	570*1150 685*1150 570*1000 685*1000 570*1220 685*1220

ITEM	OPTIONS (optional items marked in yellow)
Fork lowered height	90
Fork carriage width option	680 795
Load wheel type	single
Handle head type	EP large tiler head
Load wheel material	Polyurethane
Drive wheel material	Polyurethane
Battery capacity	80Ah (Lead acid) 40Ah (Li-ion)
Charger	24V-10A internal (Lead acid) 24V-15A internal (Li-ion)
Battery display indicator (BDI)	Without hourmeter
Vertical handler working	Yes and not customized
Castor wheels	Yes and not customized
Special AUS/NZ options	Yes and not customized